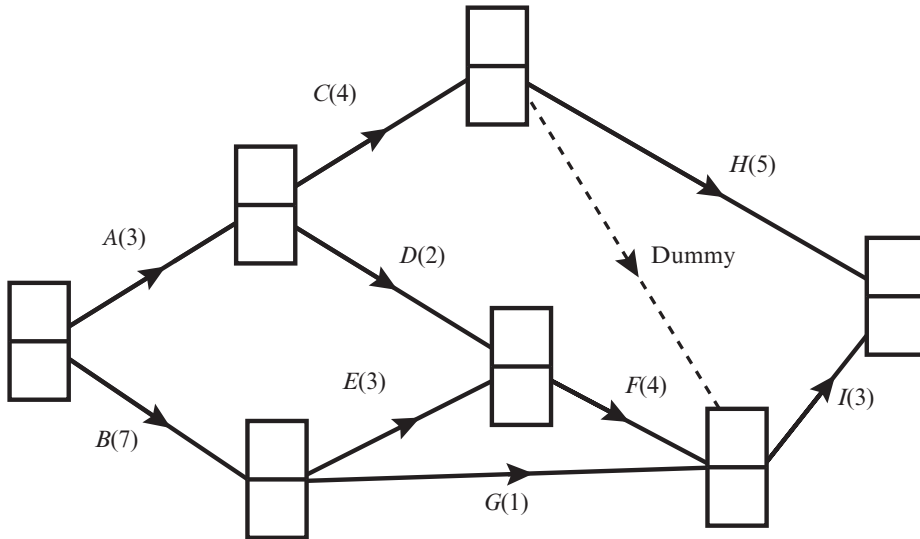


Name: _____

Exercise 8D **Question 3**



Name: _____

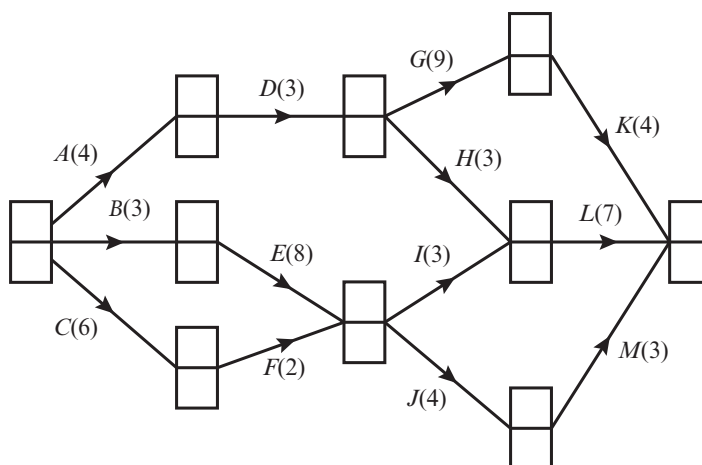
Exercise 8D

Question 4

a

Event	Immediately preceding activity
<i>A</i>	–
<i>B</i>	–
<i>C</i>	–
<i>D</i>	
<i>E</i>	
<i>F</i>	
<i>G</i>	
<i>H</i>	
<i>I</i>	
<i>J</i>	
<i>K</i>	
<i>L</i>	
<i>M</i>	

b



c
