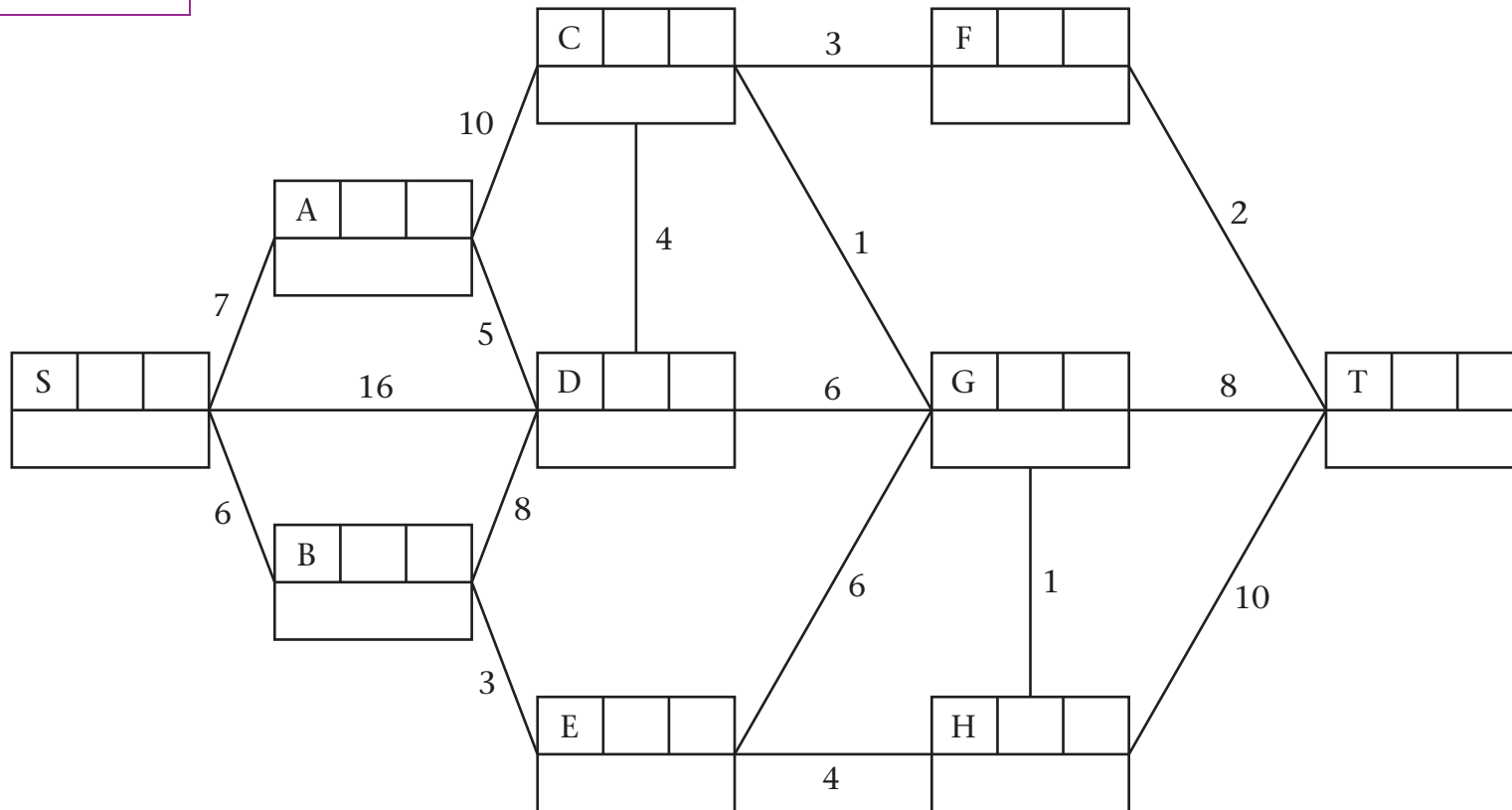


Name: \_\_\_\_\_

**Exercise 3D**

**Question 1a**




---



---



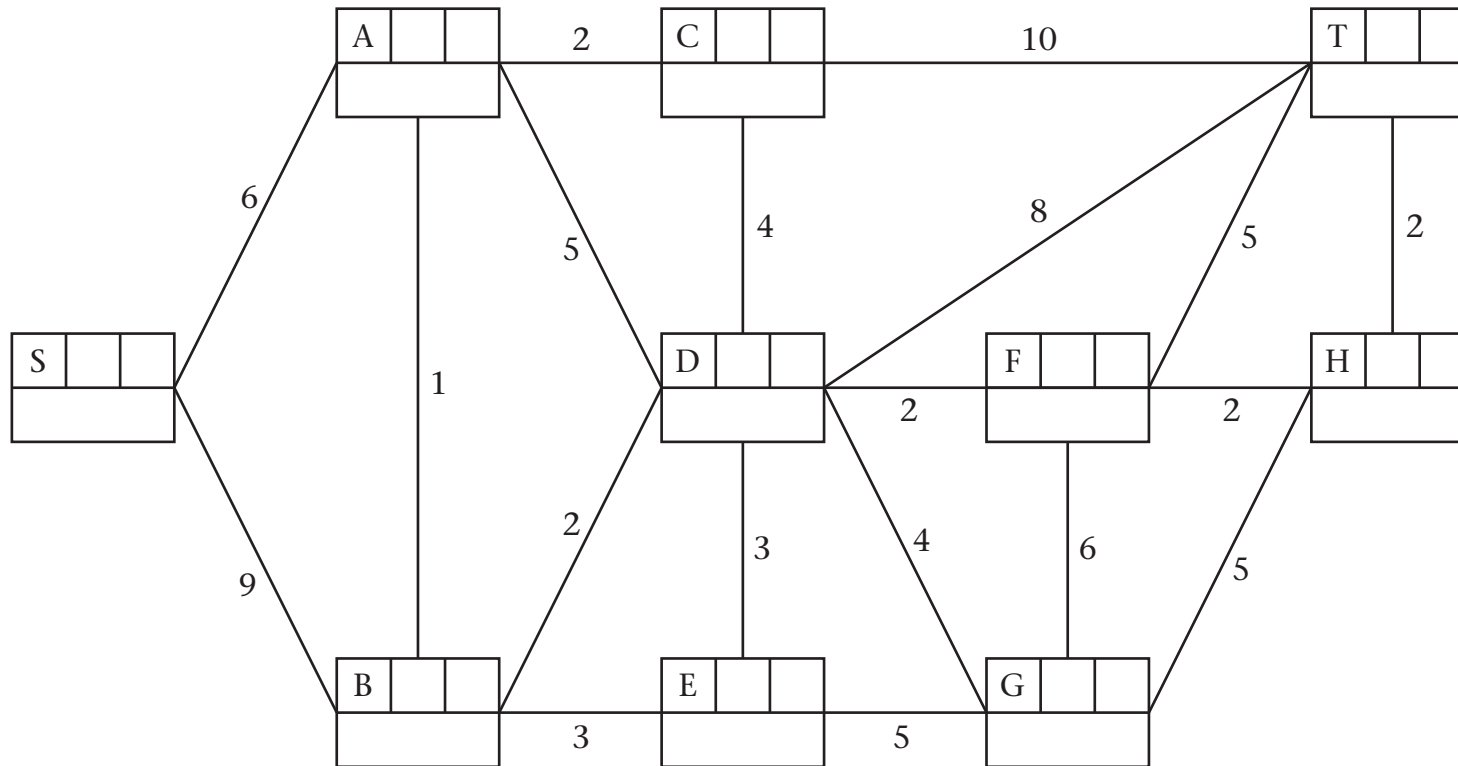
---

Shortest route \_\_\_\_\_ Length of shortest route: \_\_\_\_\_

Name: \_\_\_\_\_

**Exercise 3D**

**Question 1b**




---



---



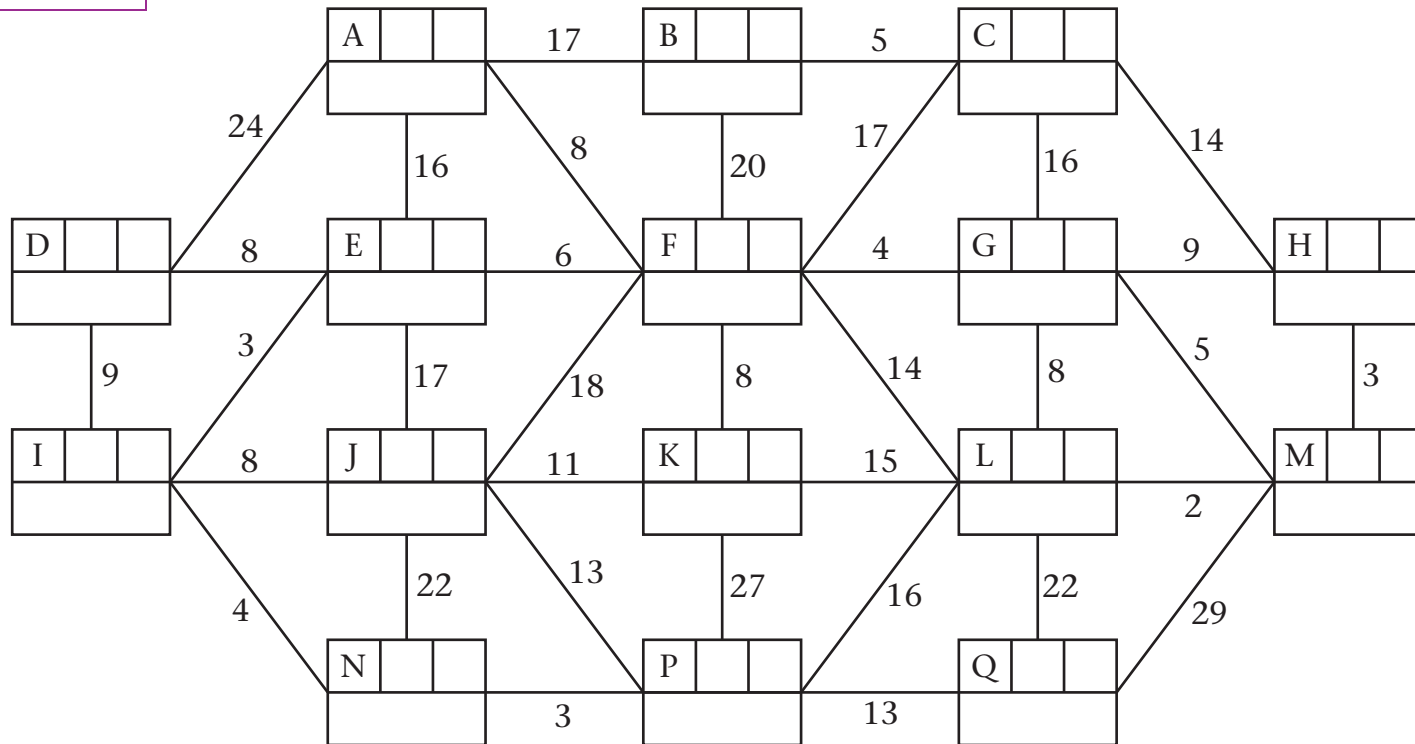
---

Shortest route \_\_\_\_\_ Length of shortest route: \_\_\_\_\_

Name: \_\_\_\_\_

**Exercise 3D**

**Question 2**



A to Q: \_\_\_\_\_

Length: \_\_\_\_\_

A to L: \_\_\_\_\_

Length: \_\_\_\_\_

M to A: \_\_\_\_\_

Length: \_\_\_\_\_

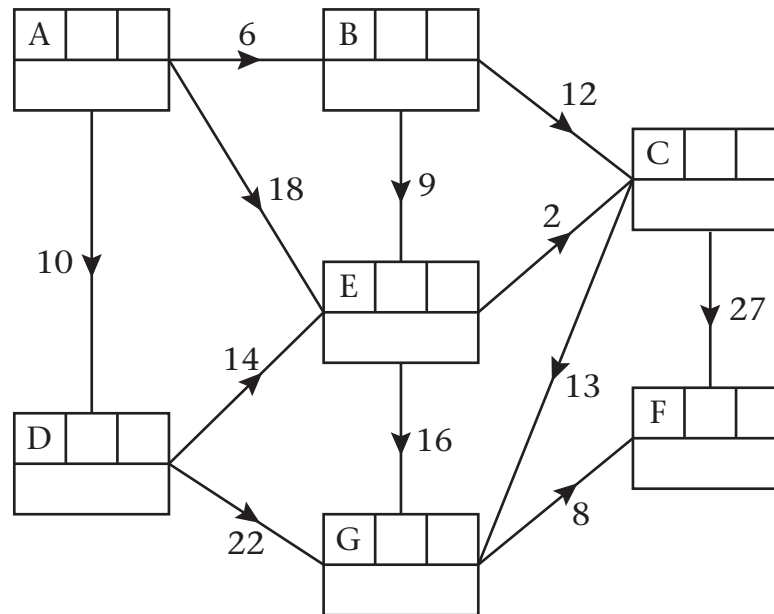
P to A: \_\_\_\_\_

Length: \_\_\_\_\_

Name: \_\_\_\_\_

**Exercise 3D**

**Question 3**

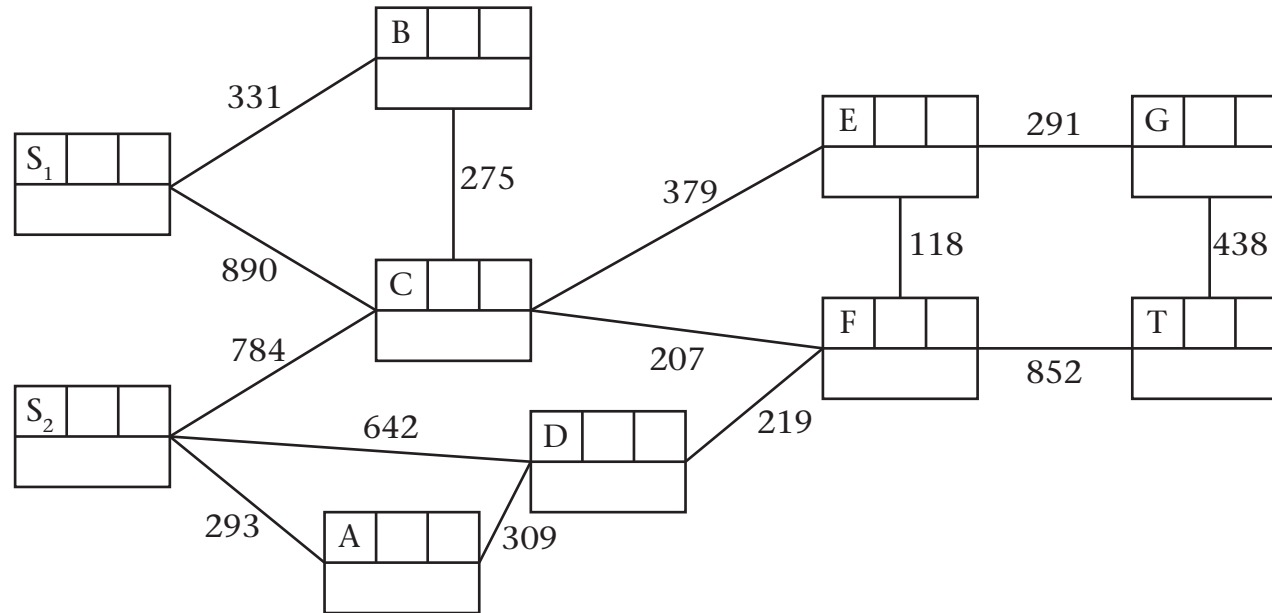


Shortest route \_\_\_\_\_ Length of shortest route: \_\_\_\_\_

Name: \_\_\_\_\_

**Exercise 3D**

**Question 4**

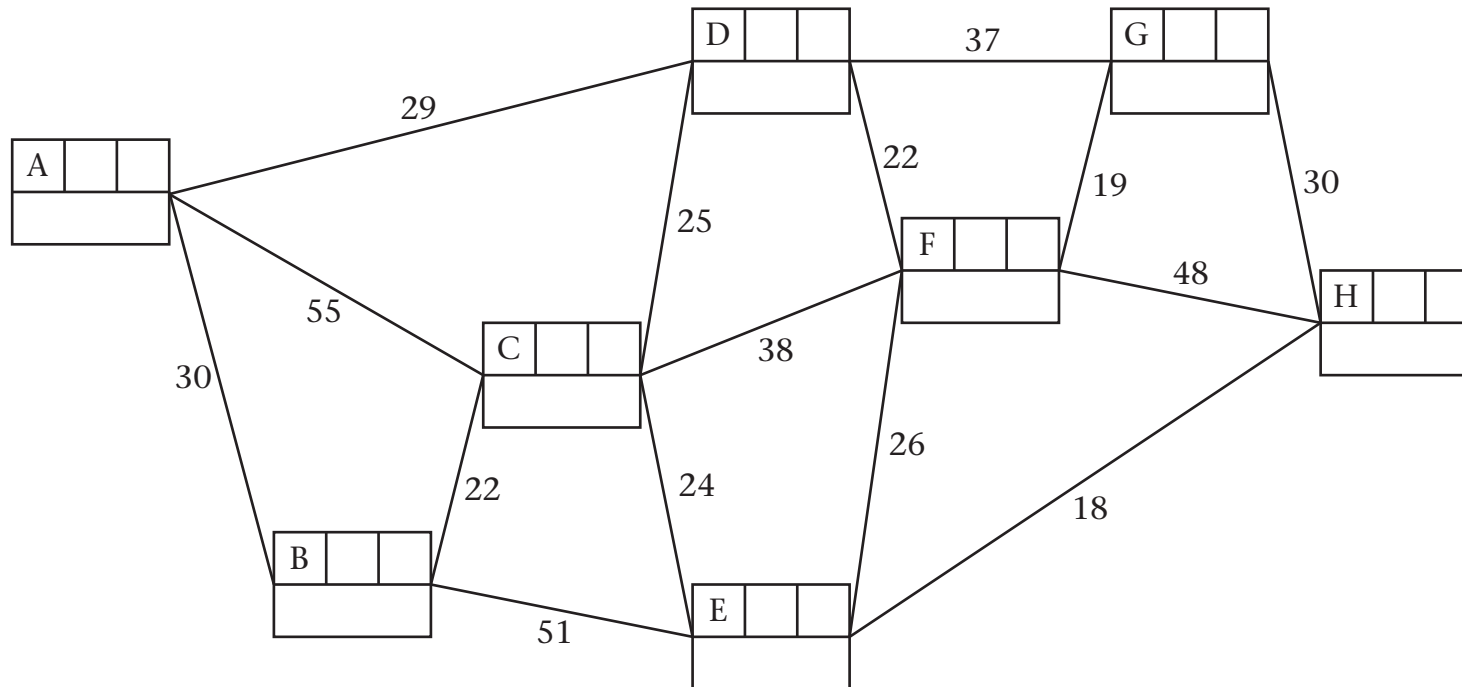


Shortest route \_\_\_\_\_ Length of shortest route: \_\_\_\_\_

Name: \_\_\_\_\_

**Exercise 3D**

**Question 5**



a Shortest route A to H: \_\_\_\_\_

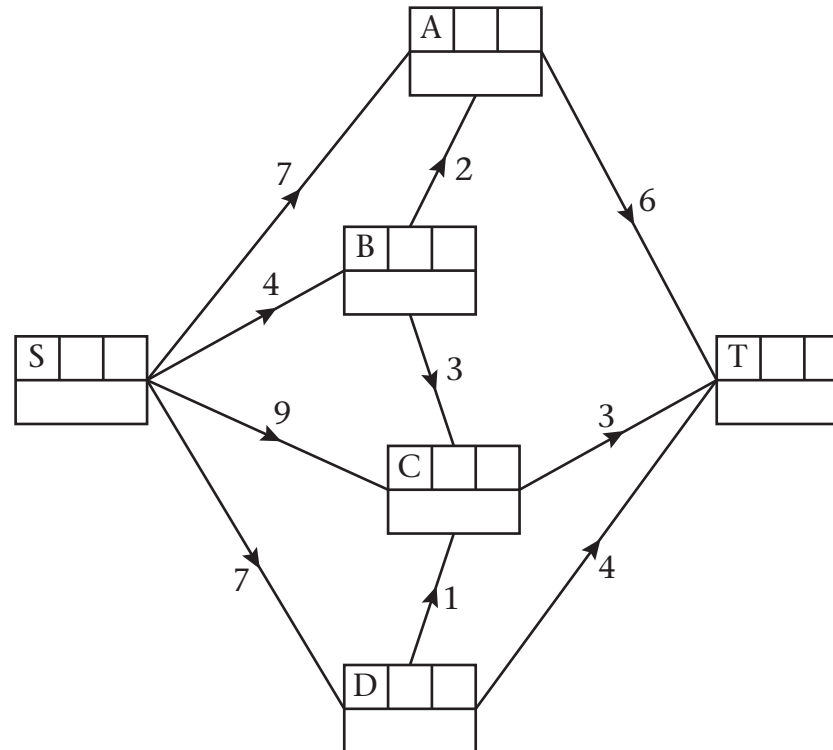
b Shortest route A to H via G: \_\_\_\_\_ Length: \_\_\_\_\_

c Shortest route A to H, not using CE: \_\_\_\_\_ Length: \_\_\_\_\_

Name: \_\_\_\_\_

**Exercise 3D**

**Question 6**

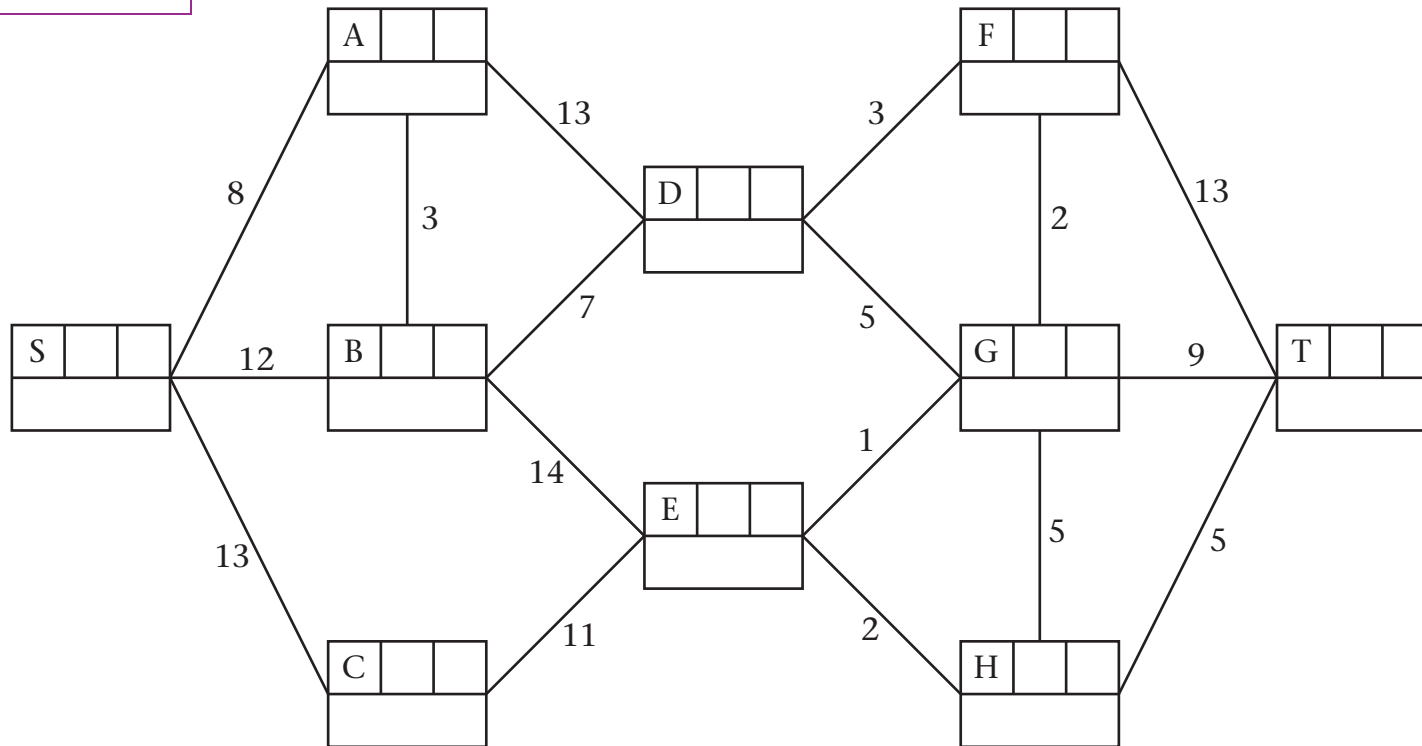


Shortest route \_\_\_\_\_ Length of shortest route: \_\_\_\_\_

Name: \_\_\_\_\_

**Exercise 3D**

**Question 7**




---



---



---

Shortest route \_\_\_\_\_ Length of shortest route: \_\_\_\_\_