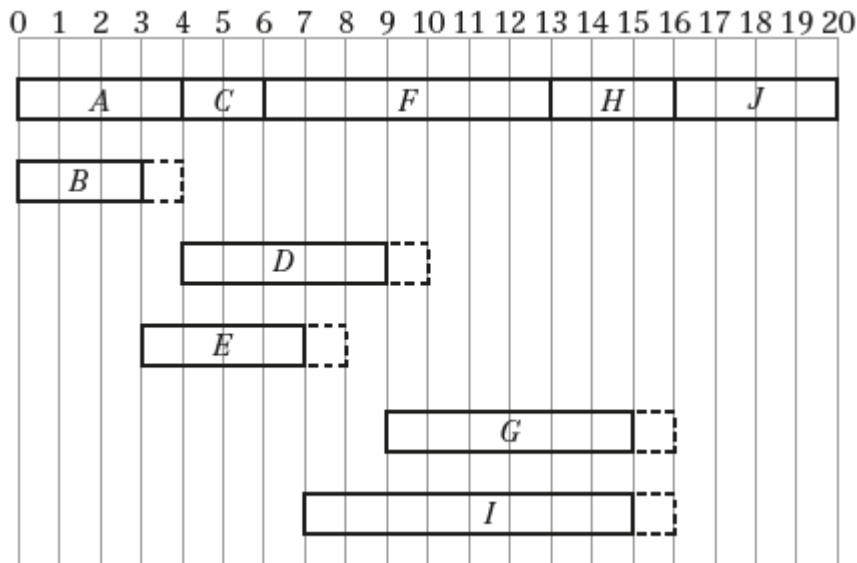


Critical path analysis 8F

1



2 a $w = 26$ $x = 29$ $y = 34$ $z = 26$

b Critical activities: B, E, H, M, O

c Total float for $G = 26 - 5 - 13 = 8$
 Total float for $N = 39 - 5 - 29 = 5$

d

